

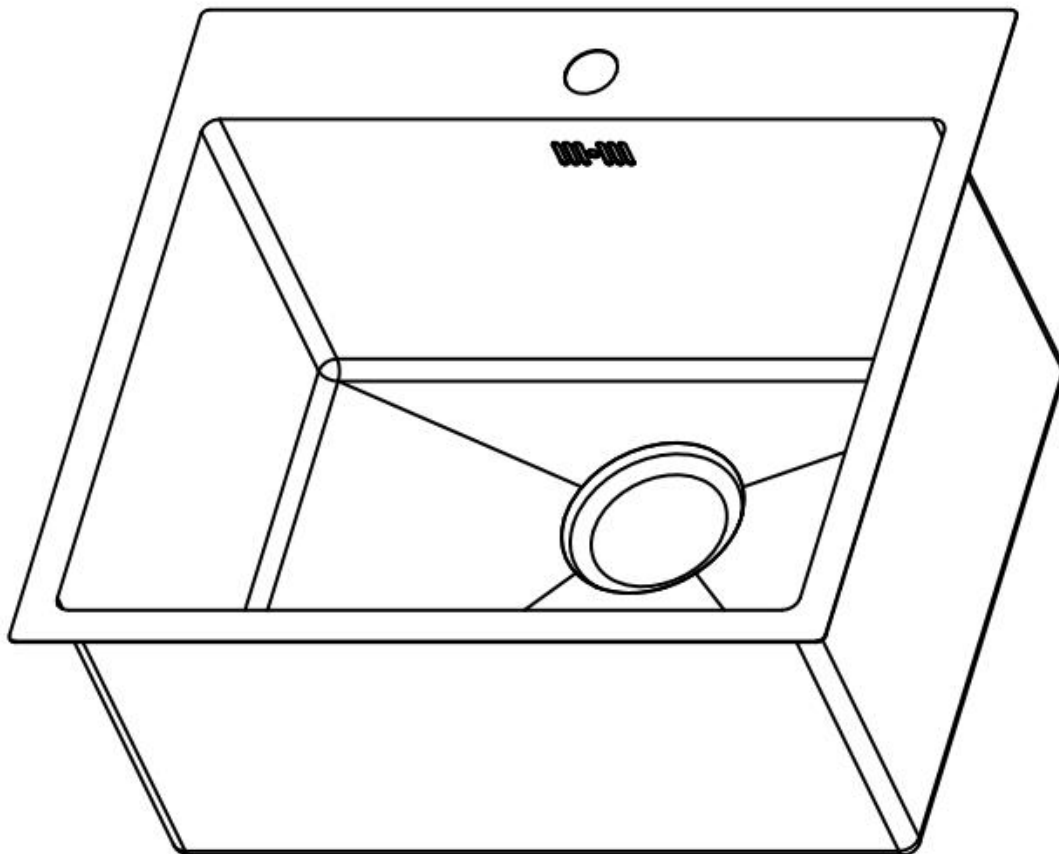
USER MANUAL



Thank you for choosing Better Bathrooms.
Please read this manual before installing your product
and keep for future reference.

better 
bathrooms

Aria Inset Single Bowl with Tap Deck Chrome ARISBCHR



- **Single-person assembly**
- **Tools required**
- **We always recommend using professional tradespeople to install your product**

V1_10.09.2024

Congratulations on your purchase

And welcome to our growing gang of savvy shoppers

We're on a mission to bring you extraordinary bathroom products, for less. From modern to traditional style ceramics, plus the gorgeous fixtures, fittings and furniture to match. So, you can fall in love with your space every single day.

As one of the UK's largest independent bathroom stores, we've received countless awards; including the National Business Awards UK, the Digital Entrepreneur Awards and being placed on The Sunday Times Fast Track 100.

We hope your new product goes above and beyond your expectations. However, should any problems occur, please:

- log in to your account and contact our customer services team via your self-serve portal – betterbathrooms.com/CustomerAccount/Login
- contact us via betterbathrooms.com/content/contact-us

Important information

- Please read these instructions thoroughly and retain for future reference
- Always check for pipes and cables before drilling

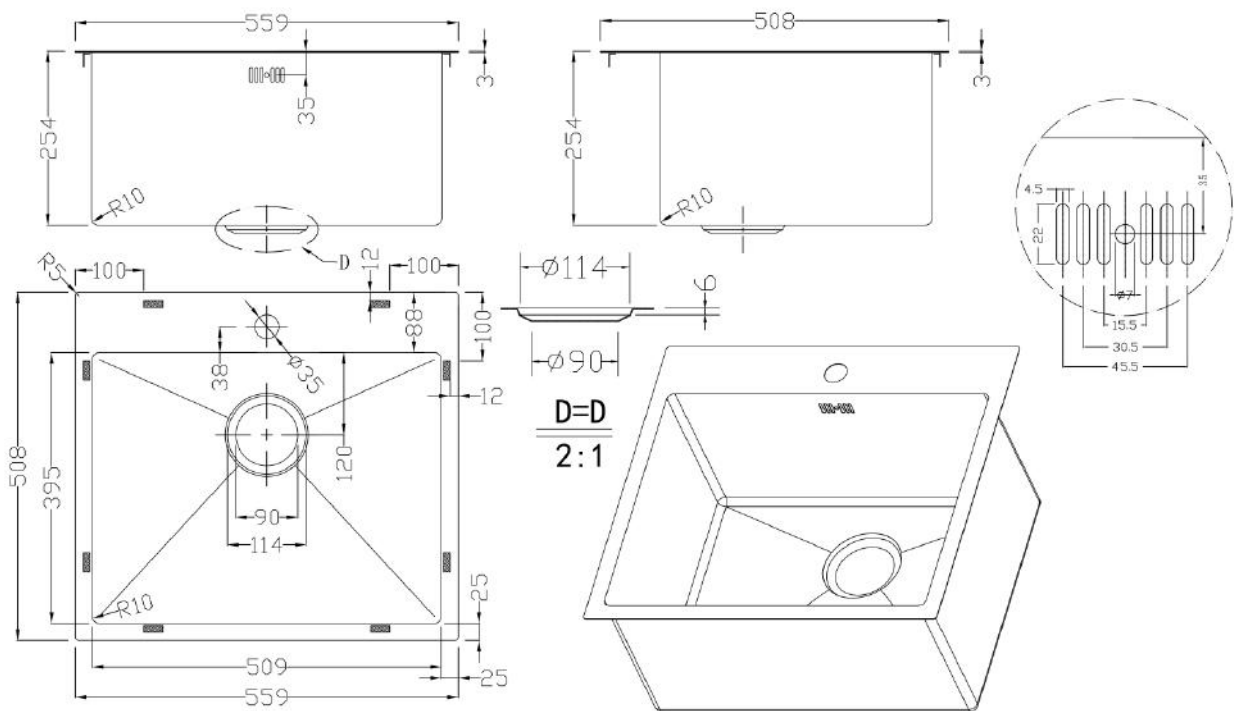
Contents

- Component Listing
- Technical Drawing
- Tools Required
- Installation Notices
- Installation Instructions
- Maintenance, Care & Cleaning


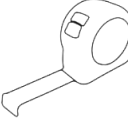


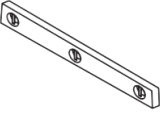


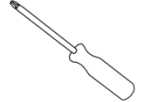
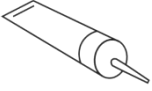
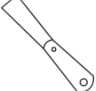
Component including

1. Sink
2. Strainer
3. Cutout template
4. Mounting clips kit (8 pcs)

Technical Drawing



Tools Required (not supplied)

				
Pencil / Marker	Tape measure	Safety glasses	Gloves	Spirit level
				
Jig saw/ Hacksaw	Drill	Screwdrivers	Adhesive	Putty knife

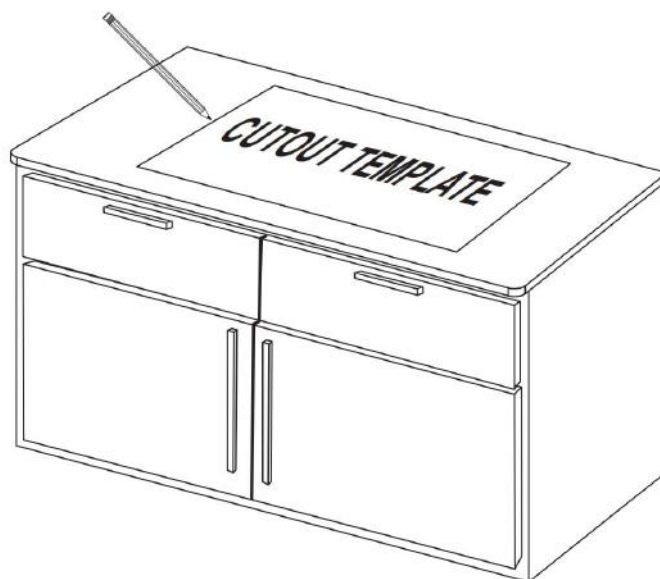
Installation Notices

- Observe all plumbing and building codes in accordance with your area and local requirements.
- Make sure to purchase the correct cabinet for your sink.
- All dimensions are nominal! Be sure to measure your sink prior to installation.
- The step-by-step guidelines in the installation instructions are a general reference. Should there be any discrepancies, Better Bathrooms cannot be held liable. It is recommended to install all Better Bathrooms products by hiring a licensed professional.
- Read installation and maintenance instructions thoroughly before installing. Be sure to use proper tools and always wear proper personal safety accessories for your protection.

Installation Instructions

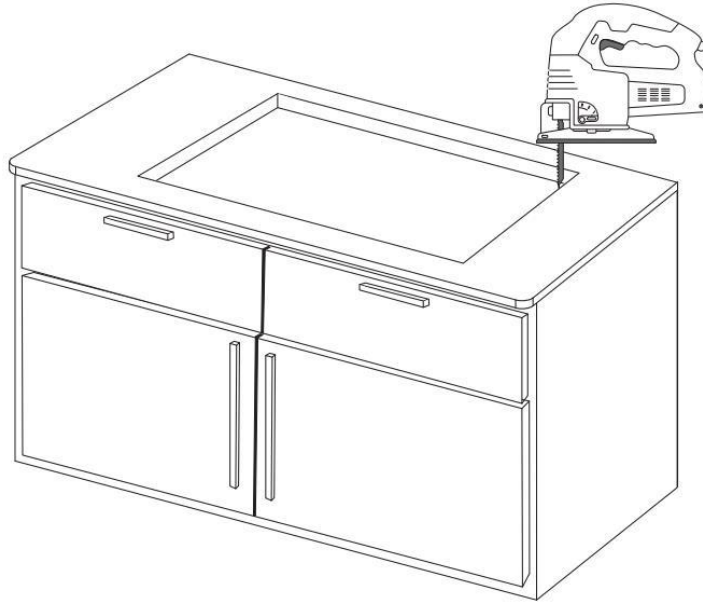
1. Position and Trace Template

- Check the cutout template against the actual sink to ensure a proper sized cutout.
- Place the cutout template in the desired location on the countertop.
- Trace the template onto the countertop.
- Make sure clearance is suitable for back splash, faucet, and plumbing for the sink.



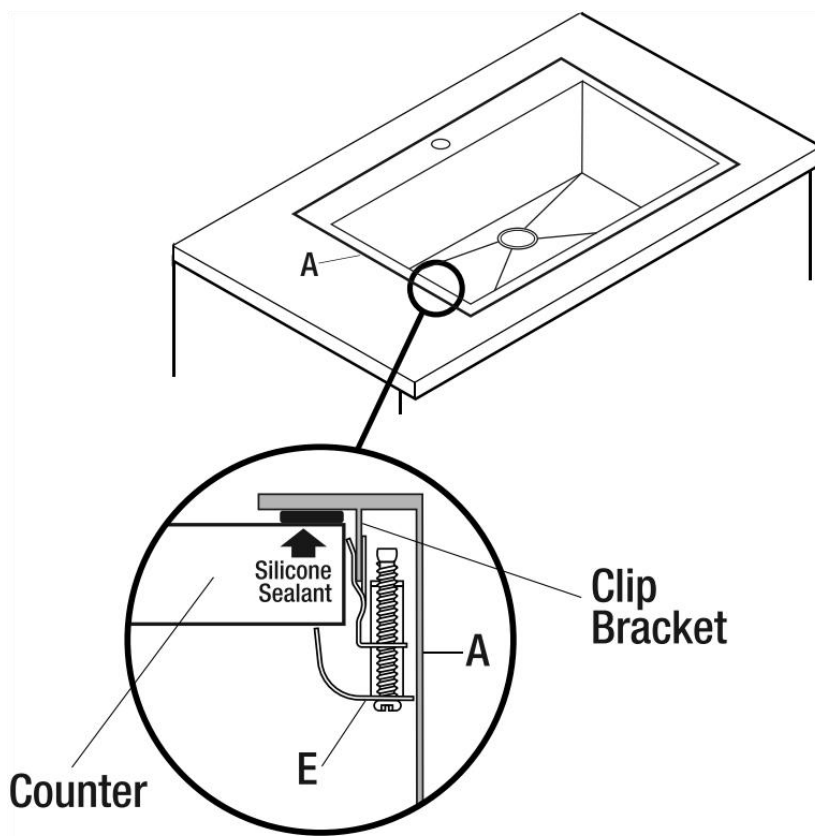
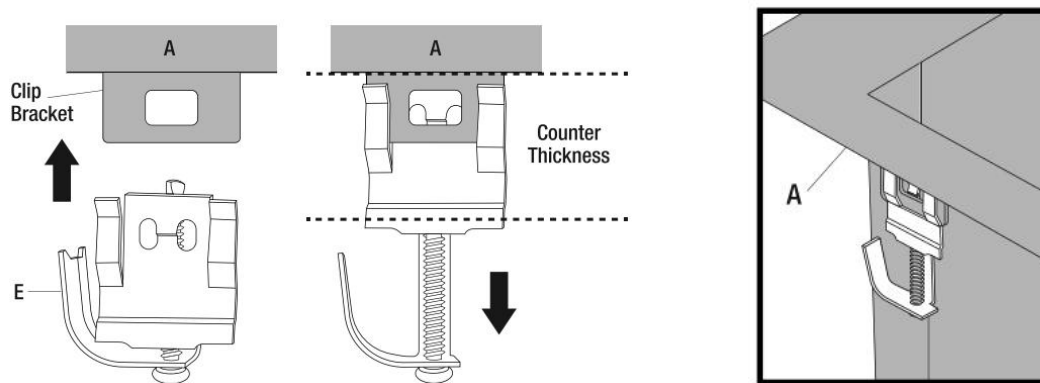
2. Cut Countertop

- Cut an opening in the countertop by carefully following the traced line from the template.
- Please use the appropriate saw that best fits your countertop material. Professional should be consulted for cutting countertop.



3. Install The Sink

- Install the faucet according to the manufacturer's instructions before completing this step.
- Attach the topmount clips (E) to the clip brackets until they snap in place.
- Using a screwdriver, extend the clips such that they clear the counter when installed.
- Rotate the clips so that they are parallel with the sink bowl on all sides.
- Apply silicone sealant (not included) around the underside of the flange of the sink(A) on all four sides or all around the top edge of the cutout in the countertop.
- Carefully lower the sink (A) into the counter, ensuring it is centered and parallel with the front of the counter
- Rotate the clips into position and tighten them down to the counter progressively (see tightening sequence) until the sink flange is flush with the counter. Do not over-tighten the clips as that can damage the brackets. Check the alignment as you tighten so that the sink (A) is centered and parallel.
- If the flange is not flush with the counter, use a heavyweight or clamp from above to press the flange down until the sealant sets.
- When finished, wipe away any excess sealant and allow it to set before proceeding with the rest of the installation.

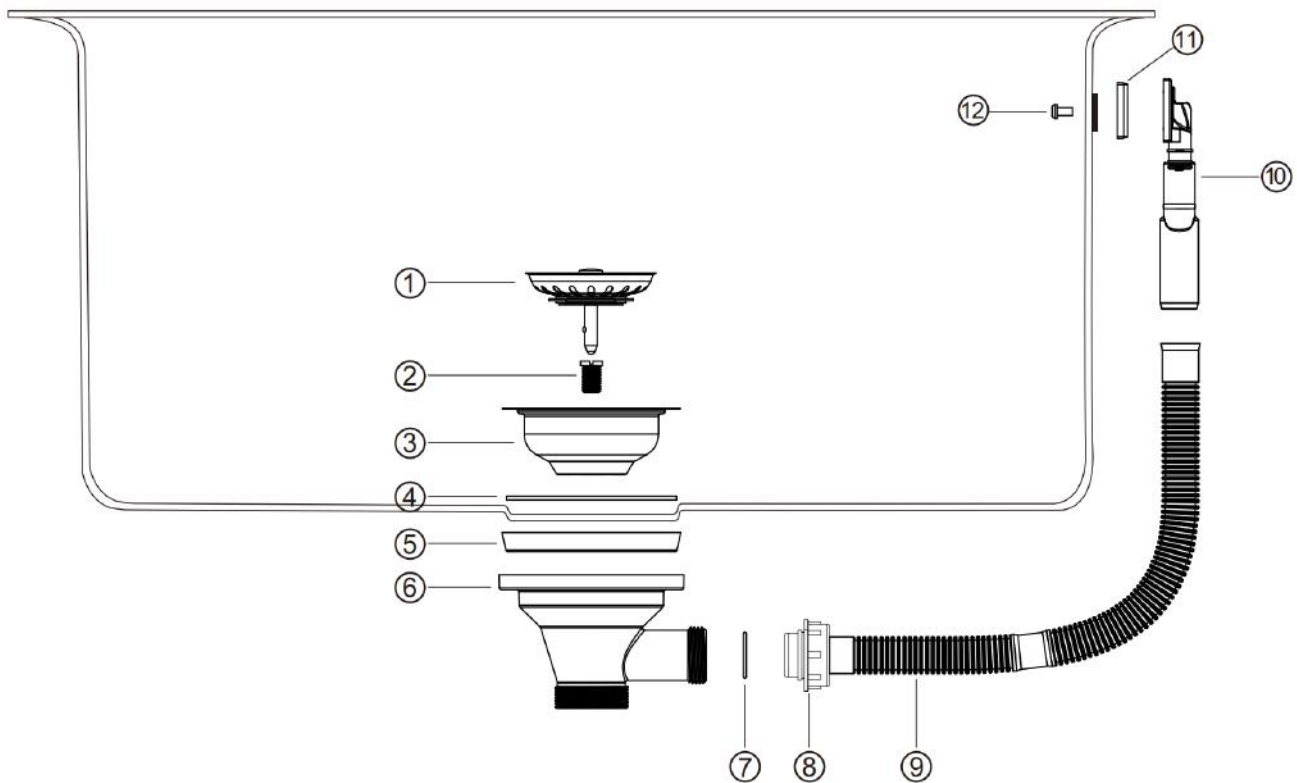


4. Install Plumbing Fixtures

- Turn counter back over.
- Connect drain, and water supply connections to faucet according to manufacturer's instruction.
- Test run water into sink and check for leaks.

Remarks: Strainer connection instruction

- Separate the strainer (①~⑥)
- Insert ③ into drain hole with ④. Install ⑤ and ⑥ underneath the sink.
- Using the screw ② tighten the ③ and ⑥ into place.
- Insert flower dish to seal water.
- Insert ⑩ outside the overflow hole with ⑪
- Using the screw ⑫ tighten the ⑩ and ⑪ into place.
- Connect ⑨ and ⑩
- Connect ⑥ and ⑨ with ⑦ by tightening ⑧



① flower dish	⑦ ring
② screw	⑧ Nut
③ steel cup	⑨ overflow pipe
④ upper sealing water ring	⑩ buckle overflow assembly
⑤ lower sealing water ring	⑪ square cushion
⑥ plastic cup	⑫ screw

Maintenance, Care & Cleaning

By following these maintenance tips, you can maintain the finish of your Coloured stainless steel sink for longer:

- The colouring is a solid coating (Physical Vapour Deposit) on the stainless steel's surface only; harsh scratching is not recommended.
- Scratching on the surface of sinks occurs as a result of normal use over time. Scratches cannot be removed, but they will fade in appearance over time. Cleaning on a regular basis is the best form of maintenance. Cleaning a little bit on a regular basis is preferable to cleaning a lot on a sporadic basis.
- The best way to prevent future problems is to keep the sink clean and dry. After each use, rinse and towel dry the sink to avoid major cleaning and to keep it shiny and free of water spots.
- Make sure there's no standing water in the sink, as this can lead to mineral deposits. The appearance of your sink can be affected by the quality of your water, which varies from household to household.
- When cleaning your sink, choose the gentlest method that will get the job done. When using household cleaners such as detergents or bleaches, use extreme caution.
- Use cleaning products specifically designed for stainless steel and follow the manufacturer's instructions to treat grime and mineral deposits that may accumulate over time.
- To avoid water spotting, always rinse the sink after using a cleaning agent and wipe it dry.
- Do not clean your sink or any utensils in the sink with metallic scouring pads or steel wool pads. They will not only scratch the sink, but will also leave a residue of small iron particles on the surface, which may or may not be visible, but will almost certainly cause rusting and corrosion.
- Do not leave any cast iron or mild steel cookware or implements in the sink for long periods of time. Surface corrosion and sink staining are caused by the presence of iron and moisture in stainless steel.
- Never leave wet sponges or cleaning pads in the sink overnight because they will trap water and stain or discolour the sink surface. Stainless steel's unique properties are determined by how much of the surface is exposed to the atmosphere.
- We do not recommend using chlorine bleach in your stainless-steel sink because chlorine will eat away at the protective layer that keeps stainless steel from rusting. Drain cleaners that contain sulphuric or hydrochloric acid will attack the sink as well.
- In extreme cases, repeatedly pouring boiling hot water into coloured sinks can cause crazing and cracking. As a result, we advise caution when releasing hot water directly onto the sink surface for long periods of time.

For more information

- visit betterbathrooms.com
- email customerservices@buyitdirect.co.uk
- call **0330 390 3062**
- write to Trident Business Park, Neptune Way, Huddersfield, HD2 1UA

better 
bathrooms

Part of the BuyItDirect Group